

ett.com



◀◀ REMOTE LOW PROFILE SKIDSTEER

SPECIALISED SUPPORT EQUIPMENT



ETT REMOTE SKIDSTEER

The purpose designed Low Profile Remote Skidsteer combines simplicity and functionality in a robust, ultra low package to offer a complete solution for under-conveyor cleaning and culvert clearing.

Packed with features to enhance operational efficiency and operator safety, the low profile design manoeuvres comfortably in confined spaces where headroom is limited.

Designed from the ground up, the low-profile design is exceptionally stable due to the low centre of mass, while the intuitive remote-control system allows for effortless operator navigation thereby enhancing the operator's safety.



INTUITIVE REMOTE CONTROL

Radio control with intuitive operation offers many safety features. These include audible warnings, limp mode or restricted operation and if necessary, automatic shutdown.

RELIABLE AND EFFICIENT

The fuel-efficient 3-cylinder naturally aspirated engine and load sensing hydraulic drive and work functions provide exceptional fuel efficiency, reliability and long component life.



INNOVATIVE TECHNOLOGY

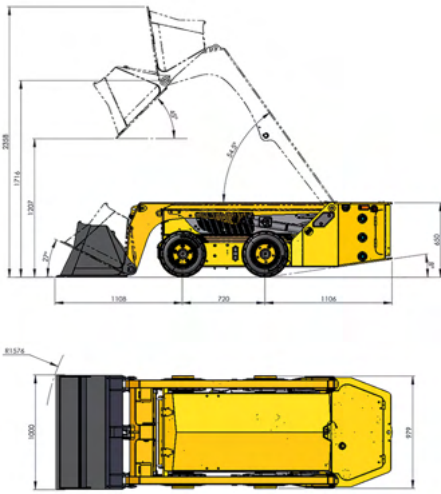
Fully programmable control system using ETT's CAN-BUS technology. This allows features such as engine stall prevention, and automatic fast commute, among many others.

CONTINUOUS OPERATION

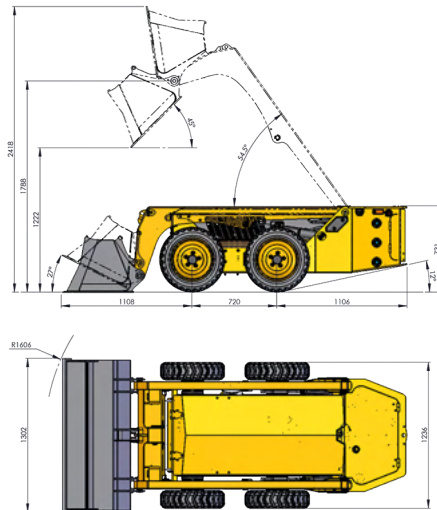
The efficiency of the diesel engine offers eight-hour run time, with an optional long range fuel tank available for 12-hour continuous operation.

LINE DRAWINGS

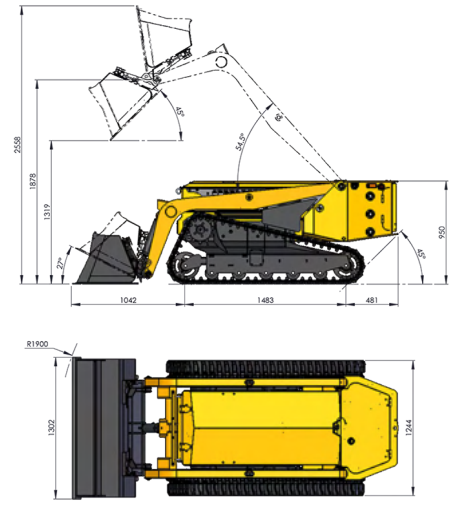
650 WHEELED



750 WHEELED



950 TRACKED



650-W

750-W

950-T

PERFORMANCE

Bucket Volume	0.14 m ³	0.19 m ³	0.19 m ³
Bucket Payload @ 1.8SG	252 Kg	432 Kg	432 Kg
Tipping Load	1400 Kg	1400 Kg	2100 Kg
Travel Speed (forward)	5 Km/h	5 Km/h	5 Km/h
Travel Speed (reverse)	5 Km/h	5 Km/h	5 Km/h
Operating Weight	1057 Kg	1100 Kg	1500 Kg
Max Tractive Effort	8 KN	7.7 KN	25 KN

DIMENSIONS

Length (mm)	2923	2923	3006
Width (mm)	978	978	1302
Height (mm)	650	750	950
Wheel Base (mm)	720	720	1483
Turning Circle (mm)	1576	1606	1900

ENGINE

Model/Emissions Tier (EPA)	Yanmar / Tier 2	Yanmar / Tier 2	Yanmar / Tier 2
Fuel/Cooling	Diesel/ Water cooled	Diesel/ Water cooled	Diesel/ Water cooled
Power /Displacement	12.5kW/ 0.9L	12.5kW/ 0.9L	12.5kW/ 0.9L
Cylinders	3	3	3
Fuel Tank Capacity	30L	30L	30L

HYDRAULICS

Hydraulic Pump	Pressure compensated/ load sensing	Pressure compensated/ load sensing	Pressure compensated/ load sensing
Hydraulic Pump Capacity	70L/min	70L/min	70L/min
Transmission	Hydrostatic	Hydrostatic	Hydrostatic
Park brake	Hydraulic release/ Spring applied	Hydraulic release/ Spring applied	Hydraulic release/ Spring applied

OPERATION

Steering and Drive	Remote Joystick	Remote Joystick	Remote Joystick
Lift and Tilt	Remote Joystick	Remote Joystick	Remote Joystick
Park Brake	Remote Switch	Remote Switch	Remote Switch



◀◀◀ BEST-IN-CLASS ACCESSIBILITY

Unparalleled packaging provides best-in-class accessibility for maintenance, and quick-and-easy servicing. The optional quick-attach device and additional auxiliary hydraulic functions present a great variety of attachments, both static and driven. The Remote Skidsteer is driven by four independent wheel drive motors and a spring-applied wet parking brake on all four wheels.

25+

years' service
in the harshest
environments



ETT maintains a complete inventory of repair and maintenance parts for all of our products to include accessory kits and service parts packages. Our professionally trained team of engineers and support staff are focused on ensuring your asset's optimal performance and ultimately your satisfaction with ETT products.

Under our policy of continuous improvement, we reserve the right to change technical data and design without prior notice. Photographs featured in this brochure may include optional equipment.

◀◀◀ CONTACT US

www.ett.com



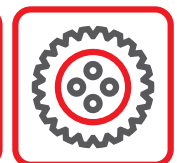
ISO
CERTIFIED



ON-SITE
ASSEMBLY



SERVICE



SPARES



ACCESSORIES



QUALITY

